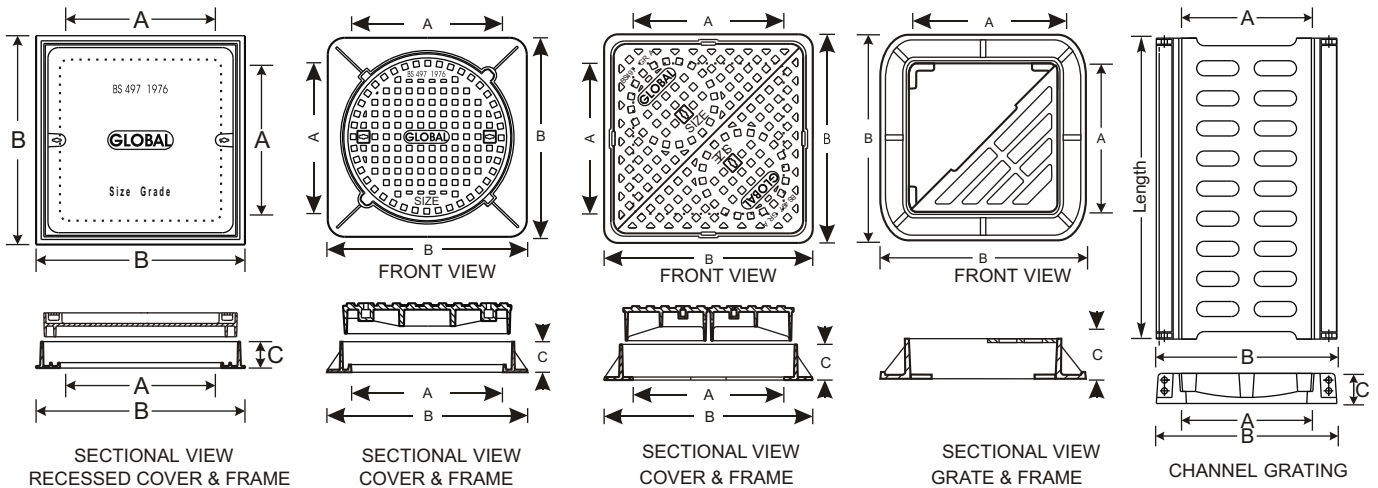


Cast Iron MANHOLE COVER & FRAME, GRATING, CHANNEL as per BS 497/1976

v Recessed, Round, Double Triangular Cover, Grating & Channel

v Test Load : 10KN, 150KN & 350KN - Block dia. 300mm.



* dimension +3 mm.
TOLERANCE * weight + 5%

Cast No.	B.S Ref.	Clear Opening of frame (mm.) A x A	Over Base of frame (mm.) B x B	Height mm. C	Weight each (Kgs.)	Recessed, Round & Double Triangular Cover Gully Grating & Channel Grating with frame
034	MC2R 30/30	300 X 300	400 X 400	75	30 Kgs	Recessed Manhole Cover & Frame Double Seal L/D Gr. C
035	MC2R 30/30	300 X 300	420 X 420	100	35 Kgs	Recessed Manhole Cover & Frame Double Seal L/D Gr. C
036	MC2R 60/60	600 X 600	775 X 775	65	70 Kgs	Recessed Manhole Cover & Frame Double Seal L/D Gr. C
037	MC2R 60/60	600 X 600	775 X 775	105	85 Kgs	Recessed Manhole Cover & Frame Double Seal L/D Gr. C
038	MA - 60	600	780 X 780	100	150 Kgs	Round Cover & Square Frame H/D Gr. A
039	MA - 60	600	785 X 785	100	175 Kgs	Round Cover & Square Frame H/D Gr. A
040	MA - 60	600	800 X 800	100	190 Kgs	Round Cover & Square Frame H/D Gr. A
041	MA - 60	600	825 X 825	125	210 Kgs	Round Cover & Square Frame H/D Gr. A
042	MA - 60	600	830 X 830	150	250 Kgs	Round Cover & Square Frame H/D Gr. A
043	-	750	925 X 925	175	225 Kgs	Round Cover & Square Frame H/D Gr. A
044	-	750	950 X 950	175	260 Kgs	Round Cover & Square Frame H/D Gr. A
045	-	800	950 X 950	180	250 Kgs	Round Cover & Square Frame H/D Gr. A
046	-	800	1000 X 1000	180	300 Kgs	Round Cover & Square Frame H/D Gr. A
047	MB1 60	600 X 600	750 X 750	100	145 Kgs	Double Triangular Covers with Square Frame H/D Gr. A
048	MA 60	600 X 600	750 X 750	100	180 Kgs	Double Triangular Covers with Square Frame H/D Gr. A
049	MA 60	600 X 600	750 X 750	150	200 Kgs	Double Triangular Covers with Square Frame H/D Gr. A
050	GA1 450	450 X 450	600 X 600	100	90 Kgs	Double Triangular Gully Gratings & Frame H/D Gr. A
051	GA1 450	475 X 475	625 X 550	100	95 Kgs	Double Triangular Gully Gratings & Frame H/D Gr. A
052	-	600 X 600	750 X 750	100	180 Kgs	Double Triangular Gully Gratings & Frame H/D Gr. A

drawn by : H. Vyas
www.pnplglobal.com

date : 01/01/2017
scale : NTS

approved by : Arun
revision : 016

Rev.Dtd. : 03/03/2019
date : 01/04/2019