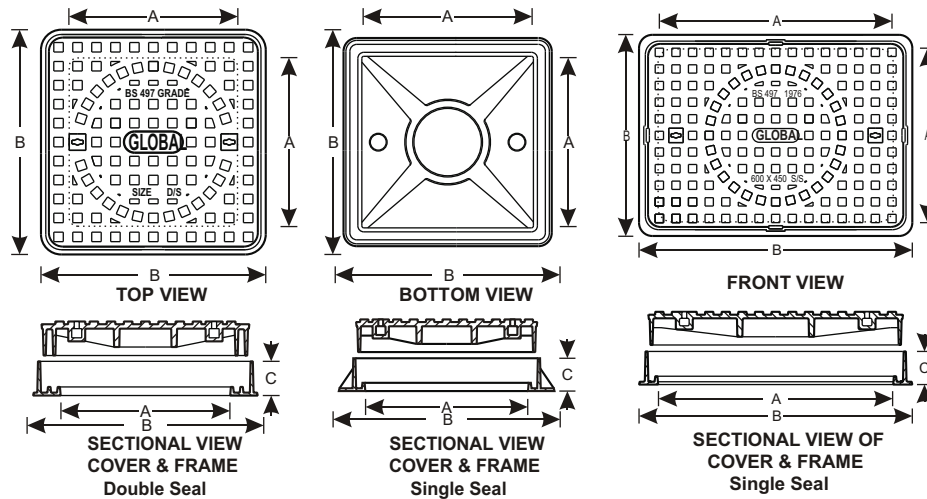


Cast Iron MANHOLE COVER & FRAME as per BS 497/1976

v Single Seal, Double Seal Square & Rectangular Solid Top Cover - Light, Medium & Heavy Duty
 v Test Load : 10KN, 150KN & 350KN - Block dia. 300mm.



GLOBAL brand solid top Manhole Cover & Frame

* dimension +3 mm.
 TOLERANCE * weight + 5%

Cast No.	B.S. Ref.	Clear opening of Frame (mm.) A x A	Over base of Frame (mm.) B x B	Height mm. C	Weight each (Kgs.)	Solid top COVER & FRAME
001	-	250 X 250	300 X 300	18	4 Kgs	Single Seal Square Cover & Frame
002	-	300 X 300	340 X 340	15	5 Kgs	Single Seal Square Cover & Frame
003	-	300 X 300	350 X 350	25	7 Kgs	Single Seal Square Cover & Frame
004	-	300 X 300	395 X 395	42	13 Kgs	Single Seal Square Cover & Frame
005	-	300 X 300	370 X 370	40	15 Kgs	Double Seal Square Cover & Frame
006	-	300 X 300	400 X 400	42	16 Kgs	Single Seal Square Cover & Frame
007	-	300 X 300	430 X 430	40	17 Kgs	Double Seal Square Cover & Frame
008	MC1 45/45	450 X 450	530 X 530	42	25 Kgs	Single Seal Square Cover & Frame L/D Gr. C
009	MC1 45/45	450 X 450	530 X 530	42	28 Kgs	Single Seal Square Cover & Frame L/D Gr. C
010	MC2 45/45	450 X 450	570 X 570	45	38 Kgs	Double Seal Square Cover & Frame L/D Gr. C
011	MC2 45/45	450 X 450	570 X 570	45	50 Kgs	Double Seal Square Cover & Frame L/D Gr. C
012	MC1 45/45	450 X 450	530 X 530	75	55 Kgs	Single Seal Square Cover & Frame M/D Gr. B
013	MC1 45/45	450 X 450	570 X 570	75	65 Kgs	Single Seal Square Cover & Frame M/D Gr. B
014	MB2 45/45	450 X 450	600 X 600	75	80 Kgs	Double Seal Square Cover & Frame M/D Gr. B
015	MC1 60/60	600 X 600	690 X 690	42	34 Kgs	Single Seal Square Cover & Frame L/D Gr. C
016	MC2 60/60	600 X 600	750 X 750	42	45 Kgs	Double Seal Square Cover & Frame L/D Gr. C
017	MC2 60/60	600 X 600	750 X 750	42	50 Kgs	Double Seal Square Cover & Frame L/D Gr. C
018	MC2 60/60	600 X 600	750 X 750	45	55 Kgs	Double Seal Square Cover & Frame L/D Gr. C
019	MC2 60/60	600 X 600	760 X 760	50	60 Kgs	Double Seal Square Cover & Frame L/D Gr. C
020	MC2 60/60	600 X 600	760 X 760	50	75 Kgs	Double Seal Square Cover & Frame L/D Gr. C
021	MC2 60/60	600 X 600	760 X 760	75	80 Kgs	Double Seal Square Cover & Frame L/D Gr. C
022	MC2 60/60	600 X 600	760 X 760	75	85 Kgs	Double Seal Square Cover & Frame L/D Gr. C
023	MC2 60/60	600 X 600	760 X 760	75	95 Kgs	Double Seal Square Cover & Frame L/D Gr. C
024	MB2 60/60	600 X 600	760 X 760	75	110 Kgs	Double Seal Square Cover & Frame M/D Gr. B
025	MB2 60/60	600 X 600	760 X 760	75	115 Kgs	Double Seal Square Cover & Frame M/D Gr. B
026	MB2 60/60	600 X 600	780 X 780	80	150 Kgs	Double Seal Square Cover & Frame M/D Gr. B
027	A2	600 X 600	750 X 750	100	210 Kgs	Double Seal Square Cover & Frame H/D Gr. A
028	A	600 X 600	800 X 800	125	250 Kgs	Double Seal Square Cover & Frame H/D Gr. A
029	-	800 X 800	950 X 950	45	100 Kgs	Double Seal Square Cover & Frame L/D Gr. C
030	MC1 60/45	600 X 450	700 X 550	42	32 Kgs	Single Seal Rectangular Cover & Frame L/D Gr. C
031	MC2 60/45	600 X 450	710 X 560	42	50 Kgs	Double Seal Rectangular Cover & Frame L/D Gr. C
032	MC1 90/45	900 X 450	1000 X 550	65	75 Kgs	Single Seal Rectangular Cover & Frame L/D Gr. C
033	MC1 90/60	900 X 600	1000 X 700	65	85 Kgs	Single Seal Rectangular Cover & Frame L/D Gr. C

drawn by : H. Vyas
 www.pnplglobal.com

date : 01/01/2017
 scale : NTS

approved by : Arun
 revision : 016

Rev.Dtd. : 03/03/2019
 date : 01/04/2019